



## **THE HYDRAULIC GREASE GUN AS&P MODEL 11000 INSTRUCTIONS**

*(Be sure to read complete instructions before using this Gun)*

### **I. OPERATION & DESCRIPTION**

The Hydraulic Grease Gun, model 11000, is a high-pressure tool that should be used with caution and according to these instructions.

**IMPORTANT- - - This Gun is 10,000 psi rated. Do not exceed 10,000 psi. Do not disassemble this gun.**

One end of the Hydraulic Grease Gun is the Fluid Bag Barrel (23) housing the Fluid Bag (24). Herein, the hydraulic fluid is contained. The other end of the Gun is the Grease Barrel (46). The Barrels are separated by the Gun Body (2), which is equipped with a Check Valve (12), Plunger (8) and other components. During operation, action of the Handle (48) causes the Plunger (8) to move out of the Cylinder (3) with the hydraulic fluid following. As the Plunger (8) goes into the Cylinder (3) it forces the hydraulic fluid into the space behind the Piston (41) located in the Grease Barrel (46). This Piston (41) pushes the material out through the Grease Barrel Cap (47). Numerous options are available for Grease Barrel Cap (47) attachments to transmit material to the desired pump, valve, or other equipment.

The (numbers) shown herein refer to Brochure 363-898 and Parts List.

The Handle (48) has a side hole near the threaded end, which will fit over the pin in the Grease Barrel Cap (47). Using the Handle in this manner makes it a convenient tool to loosen and tighten the Cap (47). Only use the Handle (48) for loosening and tightening the Grease Barrel Cap (47). The Handle is marked with approximate 1-ounce graduations for measuring dispensed material. The Handle can be used for pushing the Piston (41) to bottom of Grease Barrel (46).

To ensure the Hydraulic Grease Gun will perform and operate properly after use, keep the gun out of the weather, clean, and maintained.

### **II. LOADING**

Each new Hydraulic Grease Gun is ready to use, following this procedure:

- A. Unscrew Grease Barrel Cap (47)
- B. Make sure Piston Assembly (39) is all the way at the bottom of Grease Barrel (46) against Body (2).
- C. Load the Barrel (46) with material (Lubricant, Packing, Sealant, or Cleaner).
- D. Replace Grease Barrel Cap.
- E. Tighten Cap with Handle (48). (Use Handle for this purpose, see III. Item 2B.)

Be sure to have the appropriate material transmission apparatus or hose assembly firmly attached to the Grease Barrel Cap (47) before Gun operation.

The Hydraulic Grease Gun model 11000 will need reloading if there is a sudden increase in resistance while operating the Handle (48). This is an indication that the Piston (41) has reached the Barrel Cap (47). Do not continue to pump Piston (41) when it reaches the Barrel Cap (47). Use the following reloading procedure:

- A. Open By-Pass Valve (19) to relieve pressure. One turn of the valve is sufficient.
- B. Remove Grease Barrel Cap (47) with Handle (48) as previously described.
- C. Using Handle (48), push Piston to bottom of Grease Barrel (46) so it will be flush against Body (2).
- D. Close By-Pass Valve (19). Hand tight is sufficient.
- E. Using either bulk, prepackaged, or "J" size stick material, reload Grease Barrel (46).
- F. Replace Grease Barrel Cap (47) and tighten with Handle (48).
- G. Replace Handle (48) into Fulcrum Assembly (26) and the Gun is ready to operate.

To load from a cartridge, see Material Loader Instruction Sheet.

**IMPORTANT - - -** Always make sure the Grease Barrel Cap (47) is firmly attached to the Grease Barrel (46) and be sure there is full thread engagement between these two parts before each Gun operation.

Some variations of the Hydraulic Grease Gun model 11000 are equipped with a Latch Assembly (31), which is to keep the Handle (48) in place when the Gun is not in use. The Gun must not be carried by the Handle (48), as this could cause the Plunger (8) to break.

An optional Handle Assembly, part 10995, is available; as is an optional Carrying Strap, part 10644.

### **III. MAINTENANCE**

Any repair or service that requires disassembly of the Hydraulic Grease Gun must be performed in a dirt-free environment by a qualified technician with proper instructions. Dispose of used part and fluids properly. Be sure to always contact American Seal & Packing if there is ever an operational problem, or if there are any questions.

#### **Item 1. Hydraulic Fluid**

The Hydraulic Grease Gun model 11000 comes filled with hydraulic fluid. Fluid should be added or replaced as necessary using only American Seal & Packing hydraulic fluid. Do not contaminate or use any other fluid. Included as a standard accessory with each new Hydraulic Grease Gun is a 4-ounce container of hydraulic fluid, which may be used for "topping" when necessary (See III, Item 2, 2C.) The fluid is also available in other size containers up to 55-gallon drums. Fluid bag (24) capacity, excluding internal relief valve, is 12 ounces.

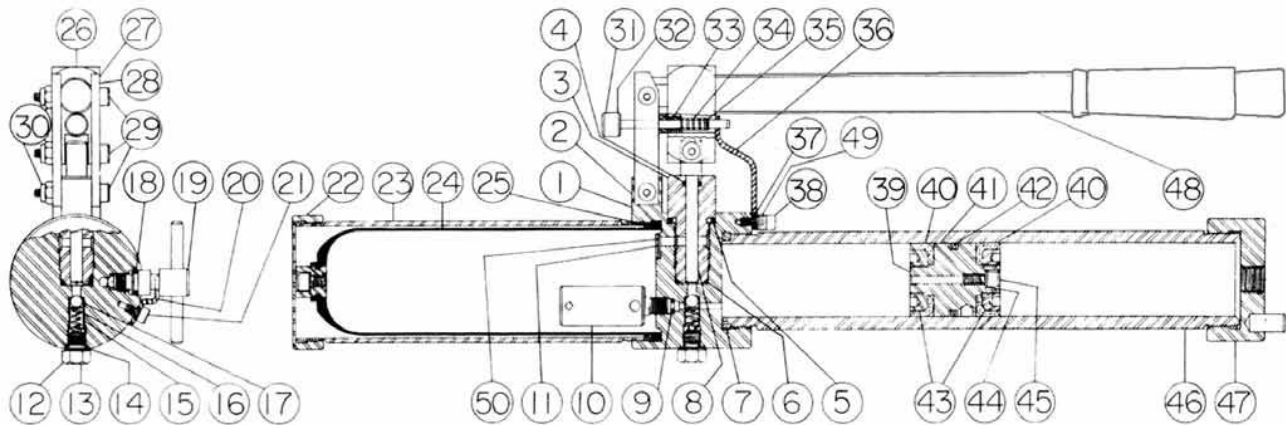
**WARNING - - - Read Material Safety Data Sheet and hydraulic fluid label before use.**

**Item 2. Refilling the Hydraulic Grease Gun Model 11000 with hydraulic fluid and purging the system of air.**

- 2A. The Gun should be refilled with hydraulic fluid and purged of air only when the Piston (41) is at the bottom of Grease Barrel (46), and flush against Body (2).
- 2B. The procedure to move the Piston (41) to the bottom of the Grease Barrel (46) is as follows:  
 Unscrew Handle (48) from Fulcrum Assembly (26). With a 1/4" pipe nipple or other fitting screwed into the Grease Barrel Cap (47), remove the Cap with Handle (48) by placing the side hole of the Handle over the pin in Cap (47) and unscrew the Cap by applying leverage against the Grease Barrel fitting. Open By-Pass valve (19) one turn. Use Handle (48) to push Piston (41) to bottom of Grease Barrel (46) so it will be flush against Body (2). Screw Handle (48) into Fulcrum Assembly (26).
- 2C. Hold the Gun Vertically, in a vise if available, with Fluid Bag end up. Remove Fluid Bag Barrel Cap (22). Use Wrench, part 10887, to remove hex socket head cap screw on the end of Fluid Bag/Bleeder Assembly (24). Using a spouted can, slowly fill Bag (24) with hydraulic fluid. Do not contaminate or use any other fluid. Allow 30 minutes (minimum) or the appropriate time for Gun to purge itself of air. Add fluid if necessary and replace cap screw, wrench tight. Replace Barrel Cap (22) all the way onto Grease Barrel (46), tightly with full thread engagement.

**IMPORTANT** - - - Warranty will be voided if the By-Pass Valve (12), Cylinder (3), Plunger (8), Piston (41), Check Valve Screw (13) is removed from the Gun or if the Gun is disassembled or altered.

**NOTE** - - - Contact American Seal & Packing for other operation, repair or rebuilding procedures.



**11000 HYDRAULIC GREASE GUN PARTS LIST**

ILL.No.	PART No.	DESCRIPTION	ILL.No.	PART No.	DESCRIPTION
1	10780	BODY ASSEMBLY	29	10779	STRIPPER BOLT (3 required)
2	10782	BODY	30	10778	LOCK NUT
3 *	10784	CYLINDER	31	10830	LATCH ASSEMBLY
4 *	10842	"O" RING	32	10835	STEM & KNOB ASSEMBLY
5 *	10788	"O" RING	33	10833	LATCH SCREW
6 *	10626	"O" RING	34	10837	LATCH SPRING INTERNAL
7 *	10811	"O" RING	35	10839	RETAINER RING
8 *	10785	PLUNGER	36	10831	LATCH ARM
9 *	10807	"O" RING	37	10832	LATCH SLEEVE
10 *	10864	INTERNAL RELIEF VALVE (see bulletin 99-190)	38	10838	CAP SCREW
11 *	10865	FILTER ASSEMBLY	39*	10810	PISTON ASSEMBLY
12 *	10790	CHECK VALVE ASSEMBLY	40 *	10821	LEATHER CUP (2 required)
13	10789	CHECK VALVE SCREW	41	10815	PISTON
14	10791	GASKET	42 *	10818	"O" RING
15	10793	FILTER SCREEN	43	10819	WASHER NUT (2 required)
16	10792	SPRING	44 *	10817	GASKET
17	10904	BALL	45	10816	CAP SCREW
18 *	10048	"O" RING	46	10812	GREASE BARREL
19	10795	BY-PASS VALVE	47	10813	GREASE BARREL CAP
20	10797	STEM RETAINER	48	10776	HANDLE
21	10798	CAP SCREW	49	10843	LATCH SPRING, EXTERNAL
22	10823	FLUID BAG BARREL CAP	50 *	10808	FILTER SCREEN
23	10822	FLUID BAG BARREL	51	11063	LINK STOP
24 *	10820	FLUID BAG/BLEEDER ASSEMBLY	52	11064	WASHER
25	10828	FLUID BAG SEAL RING	*	10840	REPAIR KIT
26	10772	FULCRUM ASSEMBLY	*	10568	PROTECTIVE PLUG
27	10781	LINK ASSEMBLY	*	10829	PINT HYDRAULIC FLUID
28	10777	LINK (2 required)			

\* designates items in repair kit